



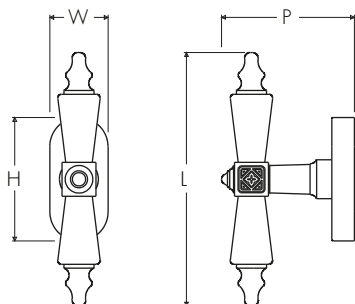
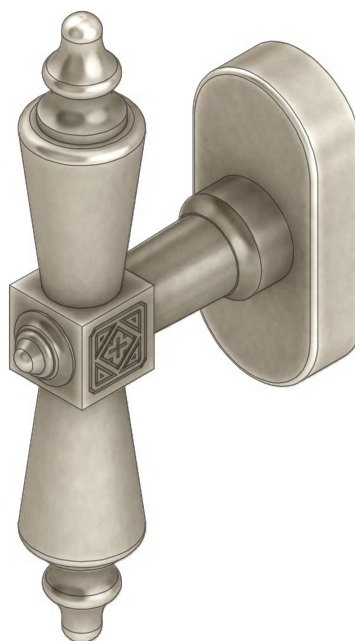
# ATELIER BONOMI

## Martellina per Finestra Serie Castle Castle Series Window Handle

Dimensioni  
Dimensions

L	P	W	H
134	70	22	65

Dimensioni in millimetri  
Dimensions given in millimeters



Fornito con meccanismo DK q.7x45mm e viti M5x50.  
Disponibile in tutte le finiture standard.  
Dimensioni e finiture su misura disponibili su richiesta.  
Regularly furnished with DK mechanism q.7x45mm and M5x50 screws.  
Additional sizes available by special order. Available in standard and custom finishes.